

**DESCRIPTION**

The Tradesman flat reducer/increaser is made to change pipe size when the top of the pipe needs to stay the same height.

**CONSTRUCTION**

Two-piece sealed seam.  
Gorelocked collar seam for strength.

**FEATURES**

Seam welded for low leakage.  
100% laser cut for accuracy.  
Made to fit Tradesman pipe and fittings.

**GUARANTEE**

Made in Canada. All Tradesman Manufacturing products are guaranteed against defective material.

**OPTIONAL CONSTRUCTION**

304 Stainless Steel  
316 Stainless Steel  
Aluminum  
Big End x Big End, Big End x Small End, Small End x Small End

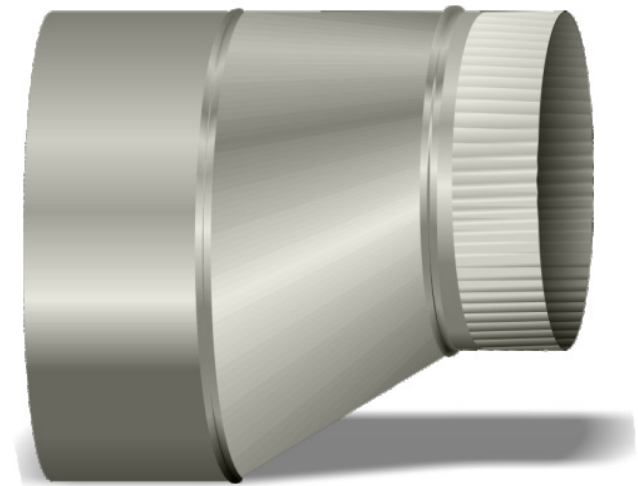
Product Code	Y (in) Big End	8X (in) Small End	Height (in)	Box Qty
REF/0504/26	5	4	3	20
REF/0604/26	6	4	6.5	10
REF/0605/26	6	5	3.5	10
REF/0706/26	7	6	4.5	15
REF/0806/26	8	6	6.5	10
REF/0807/26	8	7	4.5	5
REF/1006/26	10	6	8.5	10
REF/1007/26	10	7	7.5	5
REF/1008/26	10	8	6.5	10
REF/1009/26	10	9	5.5	10
REF/1206/26	12	6	10.5	N/A
REF/1208/26	12	8	8.5	N/A
REF/1210/26	12	10	6.5	N/A
REF/1408/26	14	8	15.5	N/A
REF/1410/26	14	10	8.5	N/A
REF/1412/26	14	12	6.5	N/A

# REDUCER/INCREASER - FLAT

## TRADESMAN

MANUFACTURING

Product Code	Y (in) Big End	X (in) Small End	Height (in)	Box Qty
REF/1608/24	16	8	15.5	N/A
REF/1610/26	16	10	15.5	N/A
REF/1612/26	16	12	8.5	N/A
REF/1614/24	16	14	6.5	N/A
REF/1812/24	18	12	15.5	N/A
REF/1814/24	18	14	8.5	N/A
REF/1816/24	18	16	6.5	N/A
REF/2014/24	20	14	13.5	N/A
REF/2016/24	20	16	8.5	N/A
REF/2018/24	20	18	6.5	N/A
REF/2220/24	22	20	6.5	N/A
REF/2420/24	24	20	8.5	N/A
REF/2422/24	24	22	6.5	N/A



[\(403\) 327-9871](tel:(403)327-9871)

[sales@tradesmanmfg.ca](mailto:sales@tradesmanmfg.ca)

[www.tradesmanmfg.ca](http://www.tradesmanmfg.ca)

Specifications are subject to change without notice or obligation. All Tradesman Manufacturing products are guaranteed against defective material.

