



DESCRIPTION

The Tradesman closed reducer/increaser is made to change pipe size when space is limited and is a low profile reducer.

CONSTRUCTION

One-piece spun construction or two-piece sealed seam.

FEATURES

One-piece construction for zero leakage.
100% laser cut for accuracy.
Made to fit Tradesman pipe and fittings.

GUARANTEE

Made in Canada. All Tradesman Manufacturing products are guaranteed against defective material.

OPTIONAL CONSTRUCTION

304 Stainless Steel
316 Stainless Steel
Aluminum

Product Code	X (in)	Y (in)	Box Qty
CRE/0403/26	2.85	4	50
CRE/0504/26	3.85	5	50
CRE/0604/26	3.85	6	36
CRE/0605/26	4.85	6	36
CRE/0706/26	5.85	7	36
CRE/0806/26	5.85	8	24
CRE/1008/26	7.85	10	20
CIN/0304/26	3	3.85	50
CIN/0306/26	3	5.85	36
CIN/0405/26	4	4.85	50
CIN/0406/26	4	5.85	36
CIN/0506/26	5	5.85	36
CIN/0607/26	6	6.85	30
CIN/0608/26	6	7.85	50

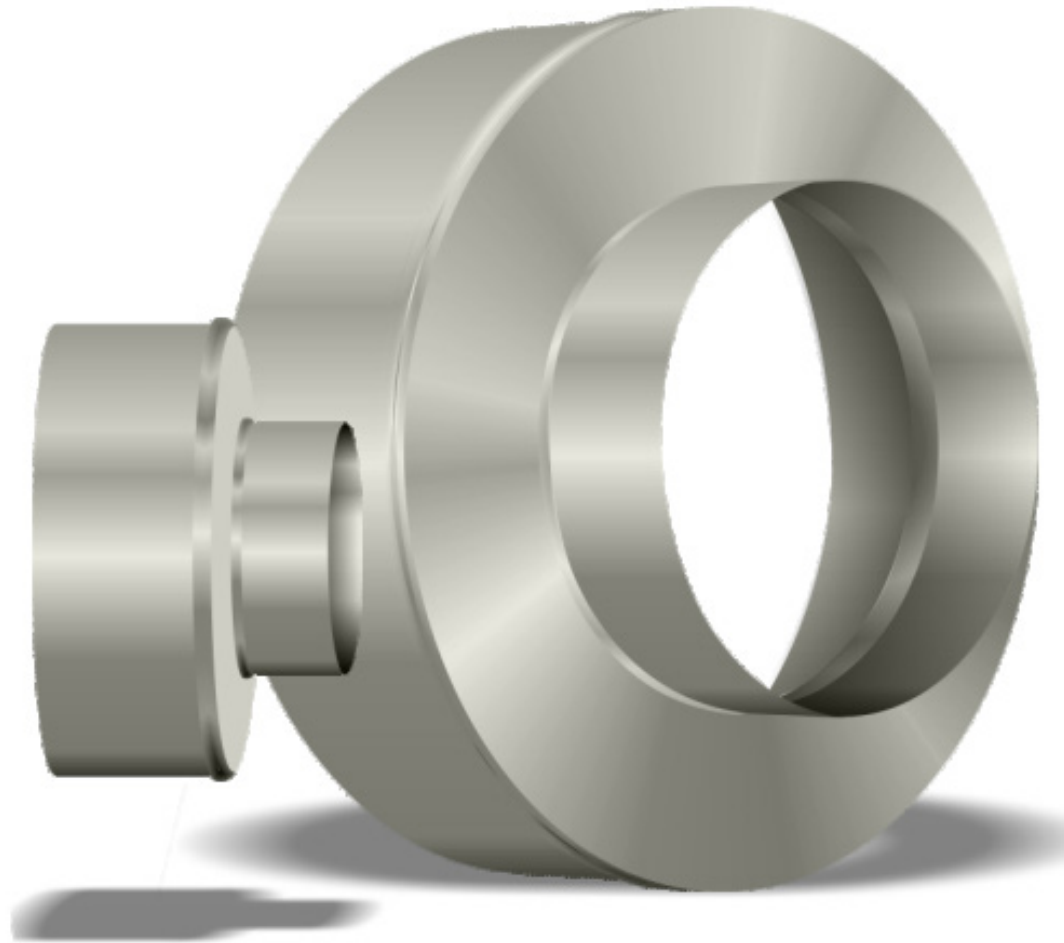
[\(403\) 327-9871](tel:4033279871)

sales@tradesmanmfg.ca

www.tradesmanmfg.ca

Specifications are subject to change without notice or obligation. All Tradesman Manufacturing products are guaranteed against defective material.

REDUCER/INCREASER - CLOSED

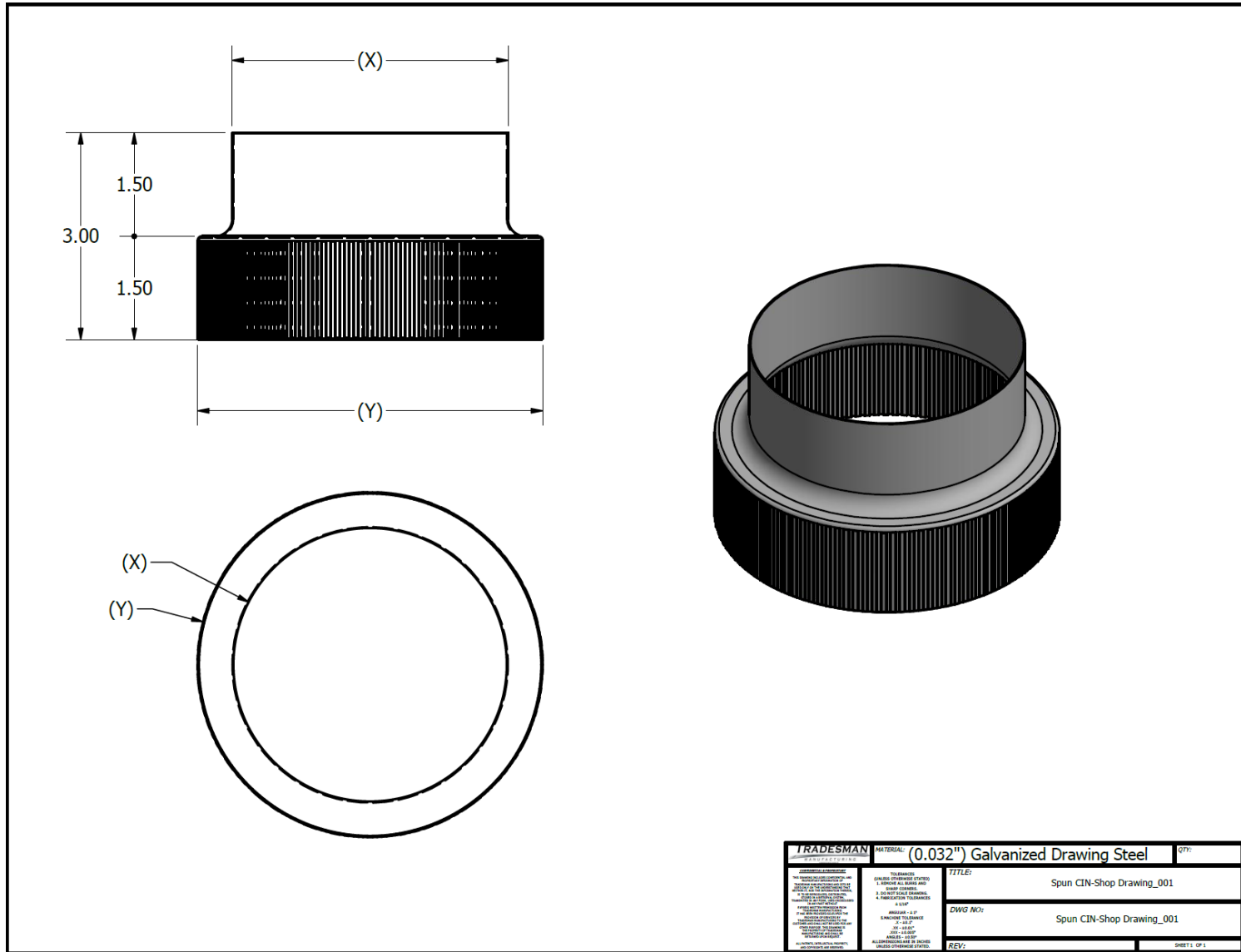


[\(403\) 327-9871](tel:4033279871)

sales@tradesmanmfg.ca

www.tradesmanmfg.ca

Specifications are subject to change without notice or obligation. All Tradesman Manufacturing products are guaranteed against defective material.



TRADESMAN <small>MANUFACTURING</small> 1000 W. 10th St. - Suite 100 Lincoln, NE 68502 (403) 327-9871 www.tradesmanmfg.ca	MATERIAL: (0.032") Galvanized Drawing Steel	QTY:
	TITLE: Spun CIN-Shop Drawing_001	
	DWG No: Spun CIN-Shop Drawing_001	
	REV:	SHEET 1 OF 1

Closed Increaser

[\(403\) 327-9871](tel:4033279871)

sales@tradesmanmfg.ca

www.tradesmanmfg.ca

Specifications are subject to change without notice or obligation. All Tradesman Manufacturing products are guaranteed against defective material.

