

DESCRIPTION

The Tradesman pipe support can be hammered into floor joist to support a pipe running between two floor joists.

CONSTRUCTION

Made of 18GA and 20GA galvanized.

FEATURES

Center bead for added strength.
Pre-punched screw holes.

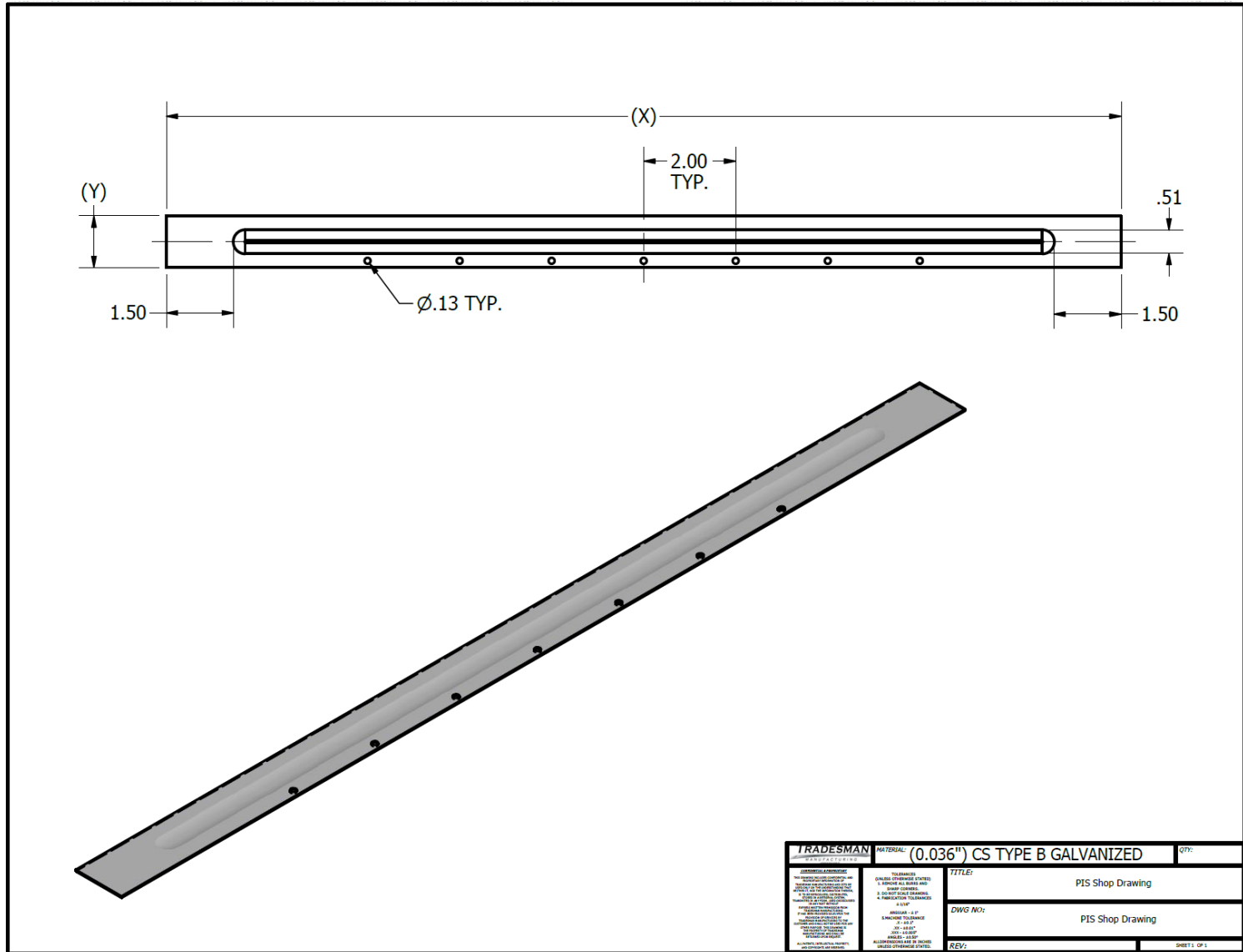
GUARANTEE

All Tradesman Manufacturing products are guaranteed against defective material.

Product Code	X (in)	Y (in)	Box Qty
PIS/0016/20	16"	1"	100
PIS/0019/18	19"	1"	100
PIS/0021/HD	21"	1"	100
PIS/0024/18	24.75"	1"	100



PIPE SUPPORT



[\(403\) 327-9871](tel:4033279871)

sales@tradesmanmfg.ca

www.tradesmanmfg.ca

Specifications are subject to change without notice or obligation. All Tradesman Manufacturing products are guaranteed against defective material.