

DESCRIPTION

The Tradesman fresh air hood provides an inlet to supply fresh outside air to a furnace.

CONSTRUCTION

Made of galv or choice of four pre-painted colours.

FEATURES

Includes screen to keep birds and rodents out.
Made with 1" straight section at the top for easy exterior finishing.

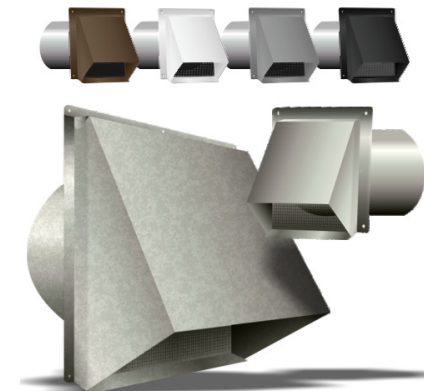
GUARANTEE

All Tradesman Manufacturing products are guaranteed against defective material.

OPTIONAL CONSTRUCTION

304 Stainless Steel
316 Stainless Steel
Aluminum

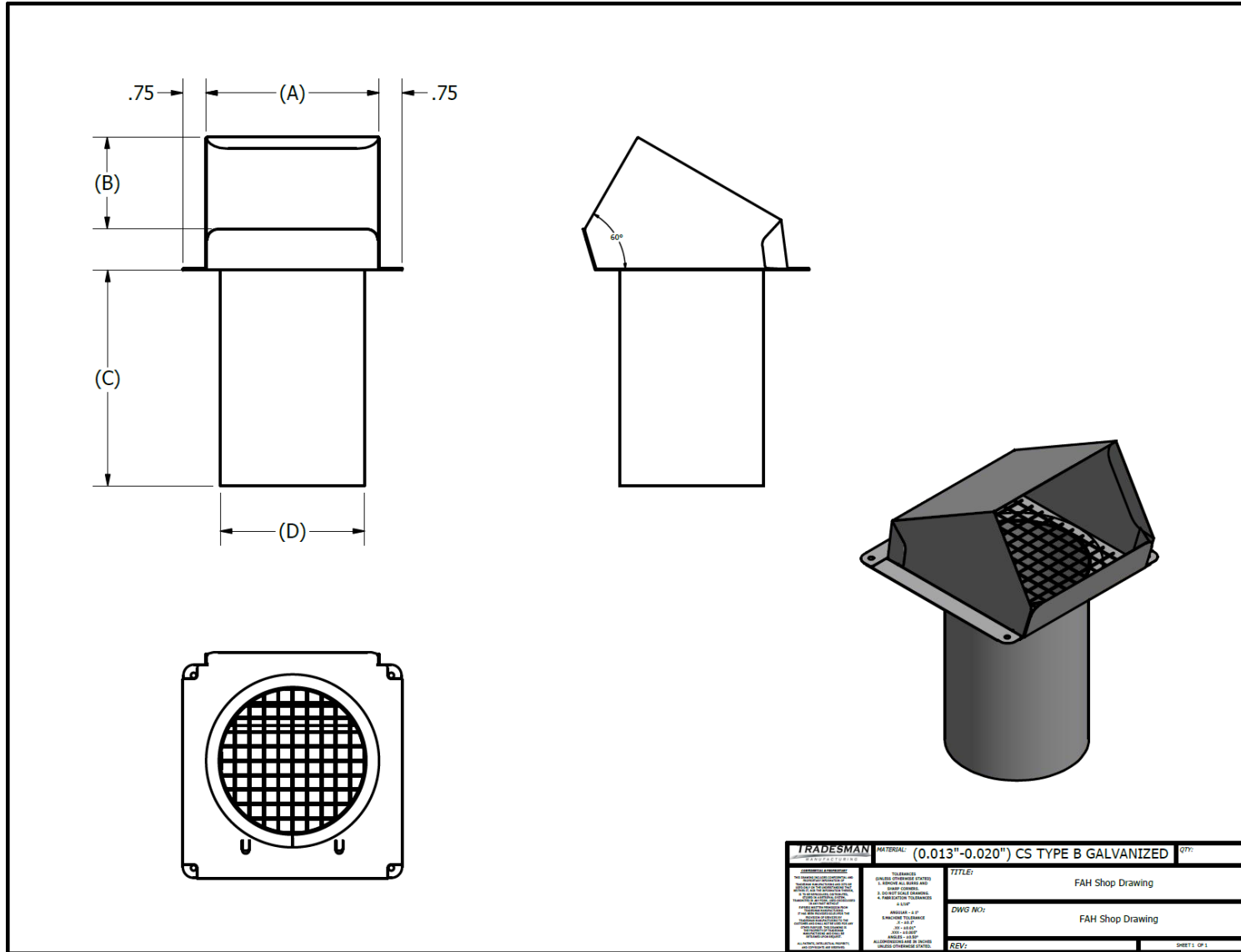
Product Code	A x B (in)	C (in)	D (in)	Carton Qty
FAH/0003/xx	4" x 2.375"	8"	3"	50
FAH/0004/xx	5" x 2.5"	8"	4"	32
FAH/0005/xx	6" x 3"	9"	5"	20
FAH/0006/xx	7" x 3.5"	10.25"	6"	14
FAH/0007/xx	8" x 4.5"	9"	7"	8
FAH/0008/xx	9" x 5"	9"	8"	7
FAH/0010/xx	11" x 6"	8.75"	10"	4
FAH/0012/xx	13" x 7.25"	8.75"	12"	2
FAH/0014/xx	15" x 8.375"	8.75"	14"	2



HOODS - FRESH AIR

TRADESMAN

MANUFACTURING



[\(403\) 327-9871](tel:4033279871)

sales@tradesmanmfg.ca

www.tradesmanmfg.ca

Specifications are subject to change without notice or obligation. All Tradesman Manufacturing products are guaranteed against defective material.