

DESCRIPTION

The Tradesman end cap is designed to fit over the end of duct to stop airflow.

CONSTRUCTION

Made of 26GA–28GA galvanized.

FEATURES

100% laser cut for accuracy.
 Made to fit Tradesman duct.
 Proprietary hem to hold end cap in place better.

GUARANTEE

Made in Canada. All Tradesman Manufacturing products are guaranteed against defective material.

OPTIONAL CONSTRUCTION

Custom sizes available upon request to suit any and all applications.

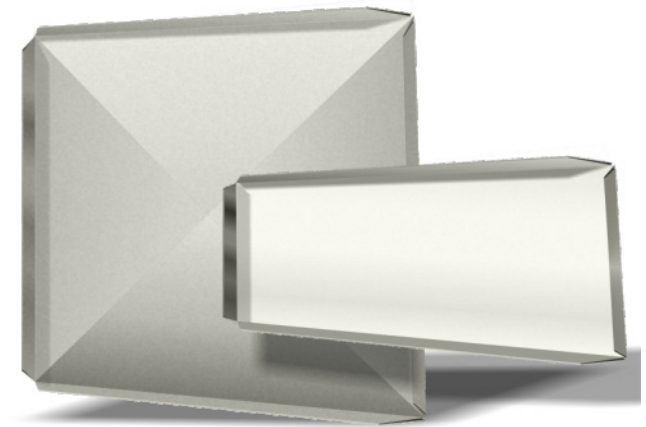
Product Code	Dimension	Bundle Qty
ECA/0310/30	3" x 10"	20
ECA/0410/30	4" x 10"	20
ECA/0608/30	6" x 8"	20
ECA/0808/30	8 x 8"	20
ECA/0810/30	10" x 8"	20
ECA/0812/30	12" x 8"	20
ECA/0814/30	14" x 8"	20
ECA/0816/28	16" x 8"	20
ECA/0818/28	18" x 8"	20
ECA/0820/26	20" x 8"	20
ECA/0822/26	22" x 8"	20
ECA/0824/26	24" x 8"	20
ECA/0825/26	25" x 8"	20
ECA/0826/26	26" x 8"	20
ECA/1010/30	10" x 10"	20
ECA/1012/30	12" x 10"	20
ECA/1014/30	14" x 10"	20

TRADESMAN

MANUFACTURING

END CAP

Product Code	Dimension	Bundle Qty
ECA/1016/28	16" x 10"	20
ECA/1018/28	18" x 10"	20
ECA/1020/26	20" x 10"	20
ECA/1022/26	22" x 10"	20
ECA/1024/26	24" x 10"	20
ECA/1025/26	25" x 10"	20
ECA/1026/26	26" x 10"	20
ECA/1220/26	20" x 12"	20
ECA/1224/26	24" x 12"	20
ECA/1225/26	12" x 12"	20
ECA/9525/26	25" x 9.5"	20



[\(403\) 327-9871](tel:4033279871)

sales@tradesmanmfg.ca

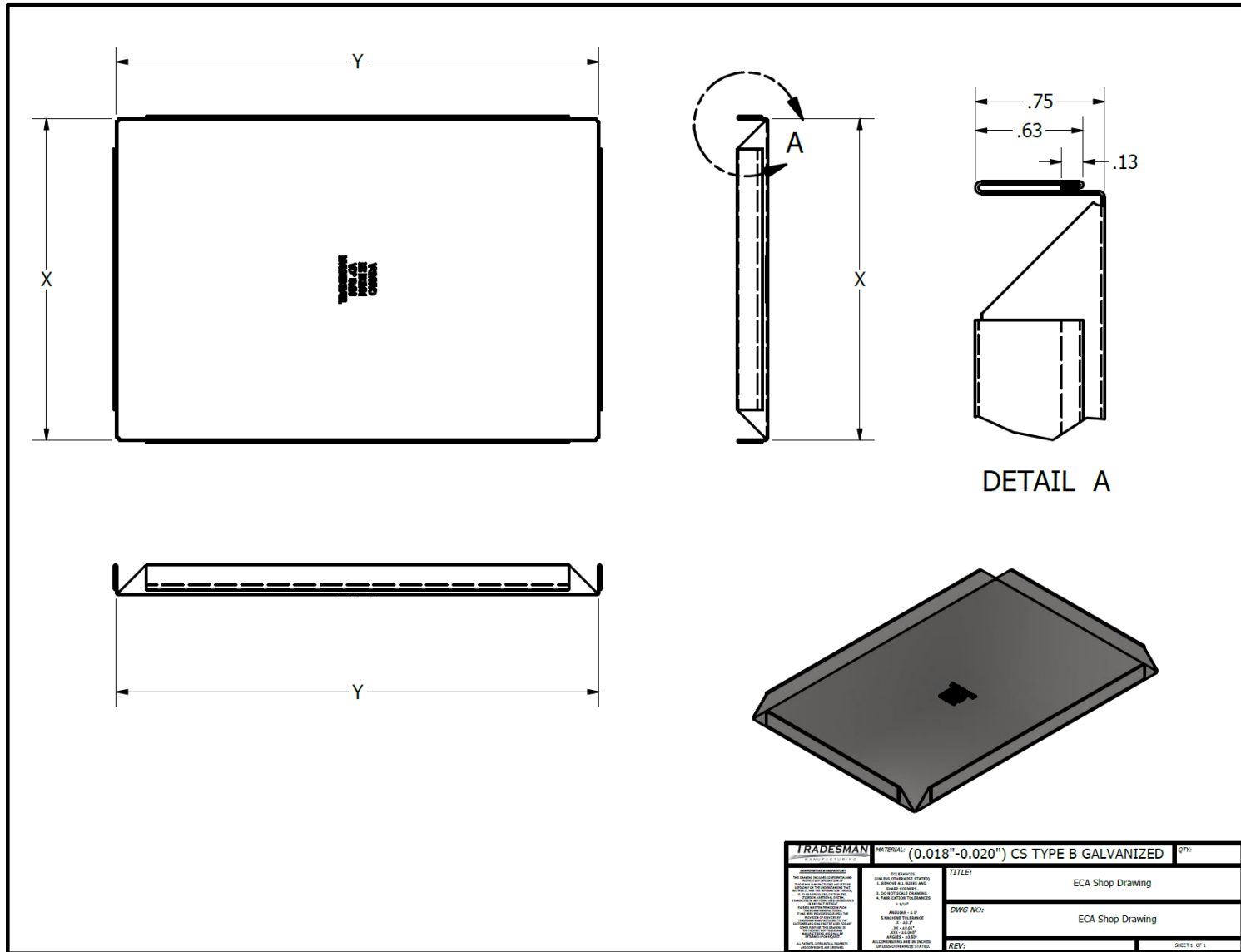
www.tradesmanmfg.ca

Specifications are subject to change without notice or obligation. All Tradesman Manufacturing products are guaranteed against defective material.

END CAP

TRADESMAN

MANUFACTURING



[\(403\) 327-9871](tel:4033279871)

sales@tradesmanmfg.ca

www.tradesmanmfg.ca

Specifications are subject to change without notice or obligation. All Tradesman Manufacturing products are guaranteed against defective material.