

DESCRIPTION

The Tradesman elbow is designed to change duct direction either vertically or horizontally 90°.

CONSTRUCTION

Made of 26GA to 28GA galvanized.

FEATURES

Smooth seam for optimal airflow.
Made to fit Tradesman duct.

GUARANTEE

Made in Canada. All Tradesman Manufacturing products are guaranteed against defective material.

OPTIONAL CONSTRUCTION

Custom sizes available upon request to suit any and all applications.

Product Code	Dimension	Shortway/ Longway	Box Qty
ENL/0808/28	8" x 8"	Longway	5
ENL/0810/28	8" x 10"	Longway	5
ENL/0812/28	8" x 12"	Longway	5
ENL/0814/28	8" x 14"	Longway	5
ENL/0816/28	8" x 16"	Longway	5
ENL/0818/28	8" x 18"	Longway	5
ENL/0820/26	8" x 20"	Longway	5
ENL/0822/26	8" x 22"	Longway	1
ENL/0824/26	8" x 24"	Longway	1
ENL/1010/28	10" x 10"	Longway	5
ENL/1012/28	10" x 12"	Longway	5
ENL/1014/28	10" x 14"	Longway	5
ENL/1016/28	10" x 16"	Longway	5
ENL/1018/28	10" x 18"	Longway	5
ENL/1020/26	10" x 20"	Longway	5
ENL/1022/26	10" x 22"	Longway	1

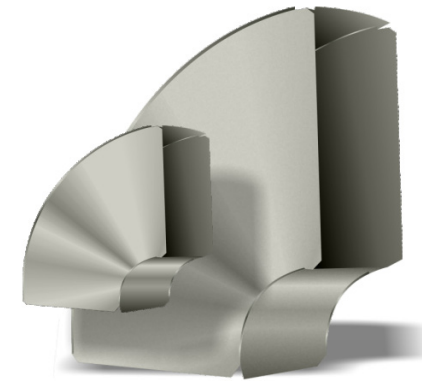
DUCT FITTING - ELBOW 90°

TRADESMAN

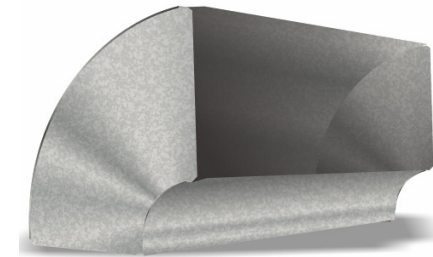
MANUFACTURING

Product Code	Dimension	Shortway/ Longway	Box Qty
ENL/1024/26	10" x 24"	Longway	1
ENS/0310/30	3" x 10"	Shortway	5
ENS/0808/28	8" x 8"	Shortway	5
ENS/0810/28	8" x 10"	Shortway	5
ENS/0812/28	8" x 12"	Shortway	5
ENS/0814/28	8" x 14"	Shortway	5
ENS/0816/28	8" x 16"	Shortway	5
ENS/0818/28	8" x 18"	Shortway	5
ENS/0820/26	8" x 20"	Shortway	5
ENS/0822/26	8" x 22"	Shortway	5
ENS/0824/26	8" x 24"	Shortway	5
ENS/1010/28	10" x 10"	Shortway	5
ENS/1012/28	10" x 12"	Shortway	5
ENS/1014/28	10" x 14"	Shortway	5
ENS/1016/28	10" x 16"	Shortway	5
ENS/1018/26	10" x 18"	Shortway	5
ENS/1020/26	10" x 20"	Shortway	5

Product Code	Dimension	Shortway/ Longway	Box Qty
ENS/1022/26	10" x 22"	Shortway	5
ENS/1024/26	10" x 24"	Shortway	5
ENS/1224/26	12" x 24"	Shortway	5



90° Duct Elbow: Longway



90° Duct Elbow: Shortway

[\(403\) 327-9871](tel:4033279871)

sales@tradesmanmfg.ca

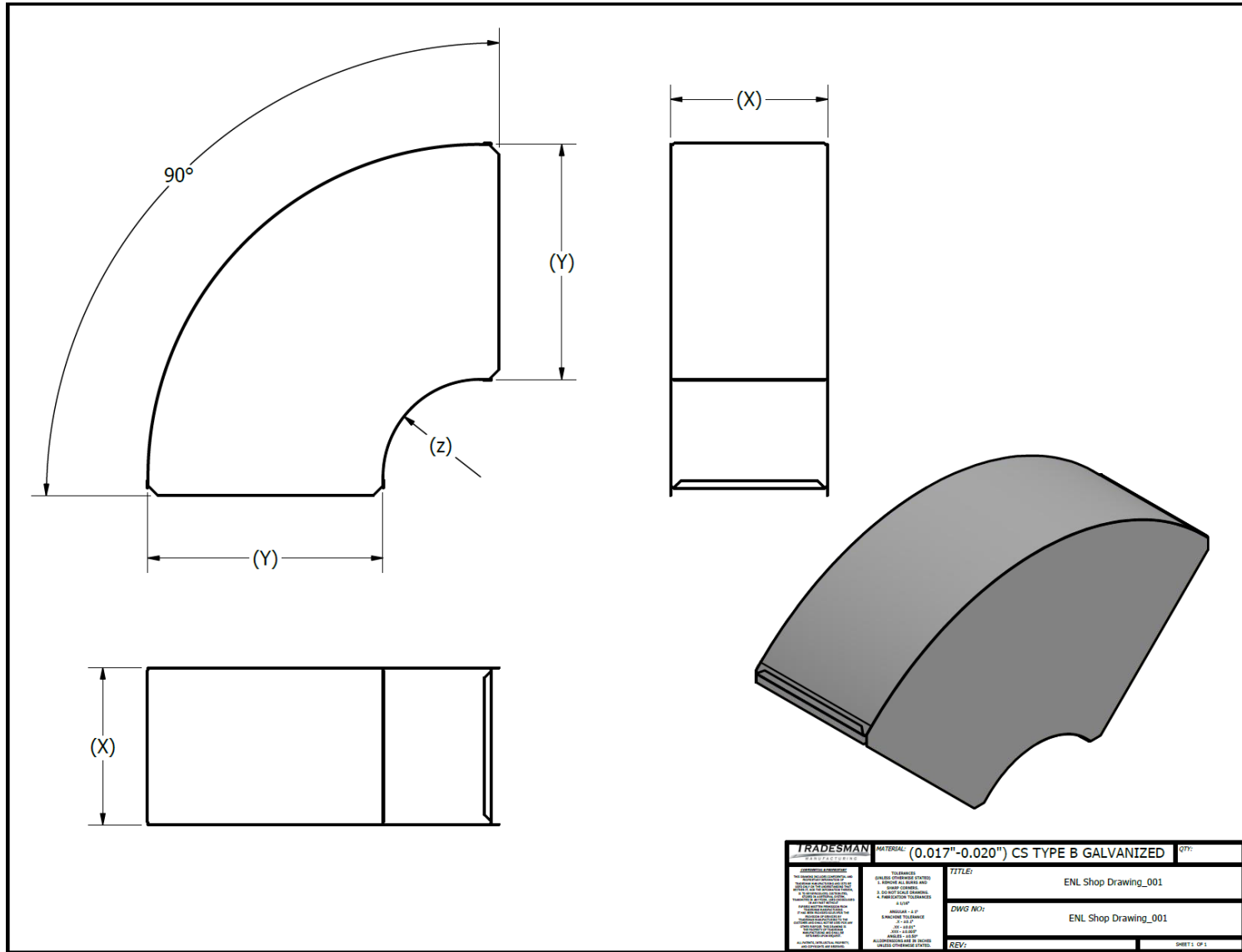
www.tradesmanmfg.ca

Specifications are subject to change without notice or obligation. All Tradesman Manufacturing products are guaranteed against defective material.

DUCT FITTING - ELBOW 90°

TRADESMAN

MANUFACTURING



90° Duct Elbow: Longway

[\(403\) 327-9871](tel:4033279871)

sales@tradesmanmfg.ca

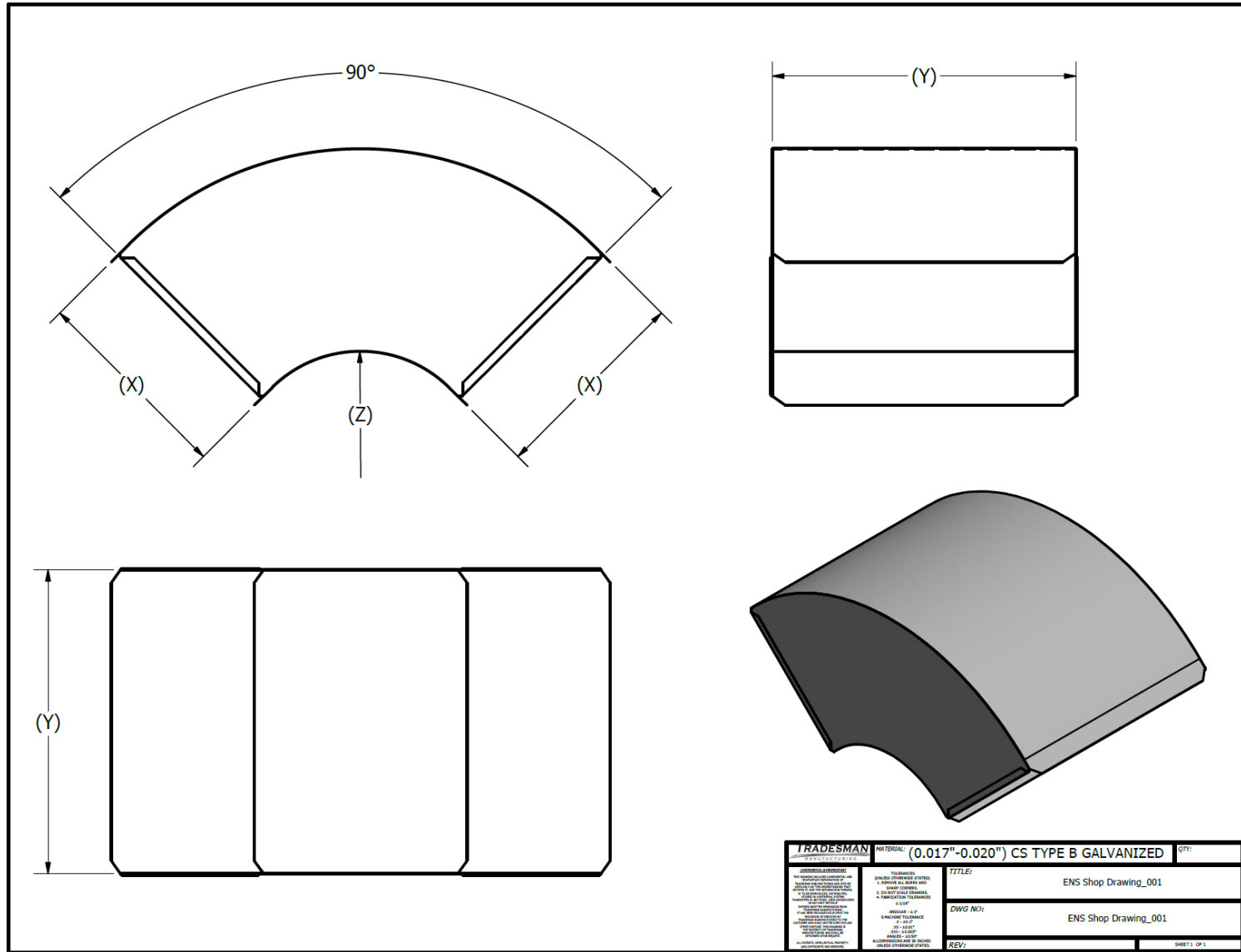
www.tradesmanmfg.ca

Specifications are subject to change without notice or obligation. All Tradesman Manufacturing products are guaranteed against defective material.

DUCT FITTING - ELBOW 90°

TRADESMAN

MANUFACTURING



90° Duct Elbow: Shortway

(403) 327-9871

sales@tradesmanmfg.ca

www.tradesmanmfg.ca

Specifications are subject to change without notice or obligation. All Tradesman Manufacturing products are guaranteed against defective material.