

DESCRIPTION

The Tradesman elbow is designed to change duct direction either vertically or horizontally 45°.

CONSTRUCTION

Made of 26GA to 28GA galvanized.

FEATURES

Smooth seam for optimal airflow.
Made to fit Tradesman duct.

GUARANTEE

Made in Canada. All Tradesman Manufacturing products are guaranteed against defective material.

OPTIONAL CONSTRUCTION

Custom sizes available upon request to suit any and all applications.

Contact Tradesman Manufacturing for availability, pricing, and lead time.

Product Code	Large Dimension (X & Y)	Dimension (Z)	Shortway/ Longway	Box Qty
EFL/0808/28	8" x 8"	9"	Longway	5
EFL/0810/28	8" x 10"	9"	Longway	5
EFL/0812/28	8" x 12"	9"	Longway	5
EFL/0814/28	8" x 14"	9"	Longway	5
EFL/0816/28	8" x 16"	9"	Longway	5
EFL/0818/28	8" x 18"	9"	Longway	5
EFL/0820/26	8" x 20"	9"	Longway	5
EFL/0822/26	8" x 22"	9"	Longway	1
EFL/0824/26	8" x 24"	9"	Longway	1
EFL/1010/28	10" x 10"	9"	Longway	5
EFL/1012/28	10" x 12"	9"	Longway	5
EFL/1014/28	10" x 14"	9"	Longway	5
EFL/1016/28	10" x 16"	9"	Longway	5
EFL/1018/28	10" x 18"	9"	Longway	5
EFL/1020/26	10" x 20"	9"	Longway	5
EFL/1022/26	10" x 22"	9"	Longway	1

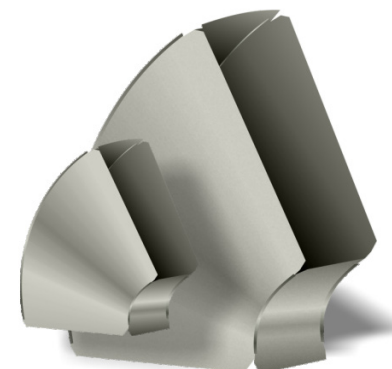
DUCT FITTING - ELBOW 45°

TRADESMAN

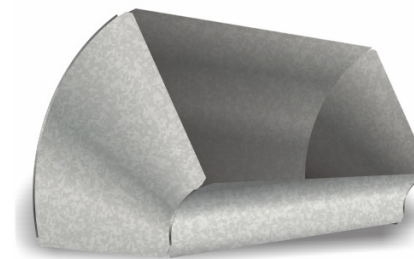
MANUFACTURING

Product Code	Large Dimension (X & Y)	Dimension (Z)	Shortway/ Longway	Box Qty
EFL/1024/26	10" x 24"	9"	Longway	1
EFS/0310/30	3" x 10"	9"	Shortway	5
EFS/0808/28	8" x 8"	9"	Shortway	5
EFS/0810/28	8" x 10"	9"	Shortway	5
EFS/0812/28	8" x 12"	9"	Shortway	5
EFS/0814/28	8" x 14"	9"	Shortway	5
EFS/0816/28	8" x 16"	9"	Shortway	5
EFS/0818/28	8" x 18"	9"	Shortway	5
EFS/0820/26	8" x 20"	9"	Shortway	5
EFS/0822/26	8" x 22"	9"	Shortway	5
EFS/0824/26	8" x 24"	9"	Shortway	5
EFS/1010/28	10" x 10"	9"	Shortway	5
EFS/1012/28	10" x 12"	9"	Shortway	5
EFS/1014/28	10" x 14"	9"	Shortway	5
EFS/1016/28	10" x 16"	9"	Shortway	5
EFS/1018/26	10" x 18"	9"	Shortway	5
EFS/1020/26	10" x 20"	9"	Shortway	5

Product Code	Large Dimension (X & Y)	Dimension (Z)	Shortway/ Longway	Box Qty
EFS/1022/26	10" x 22"	9"	Shortway	5
EFS/1024/26	10" x 24"	9"	Shortway	5
EFS/1224/26	12" x 24"	9"	Shortway	5



45° Duct Elbow: Longway



45° Duct Elbow: Shortway

[\(403\) 327-9871](tel:4033279871)

sales@tradesmanmfg.ca

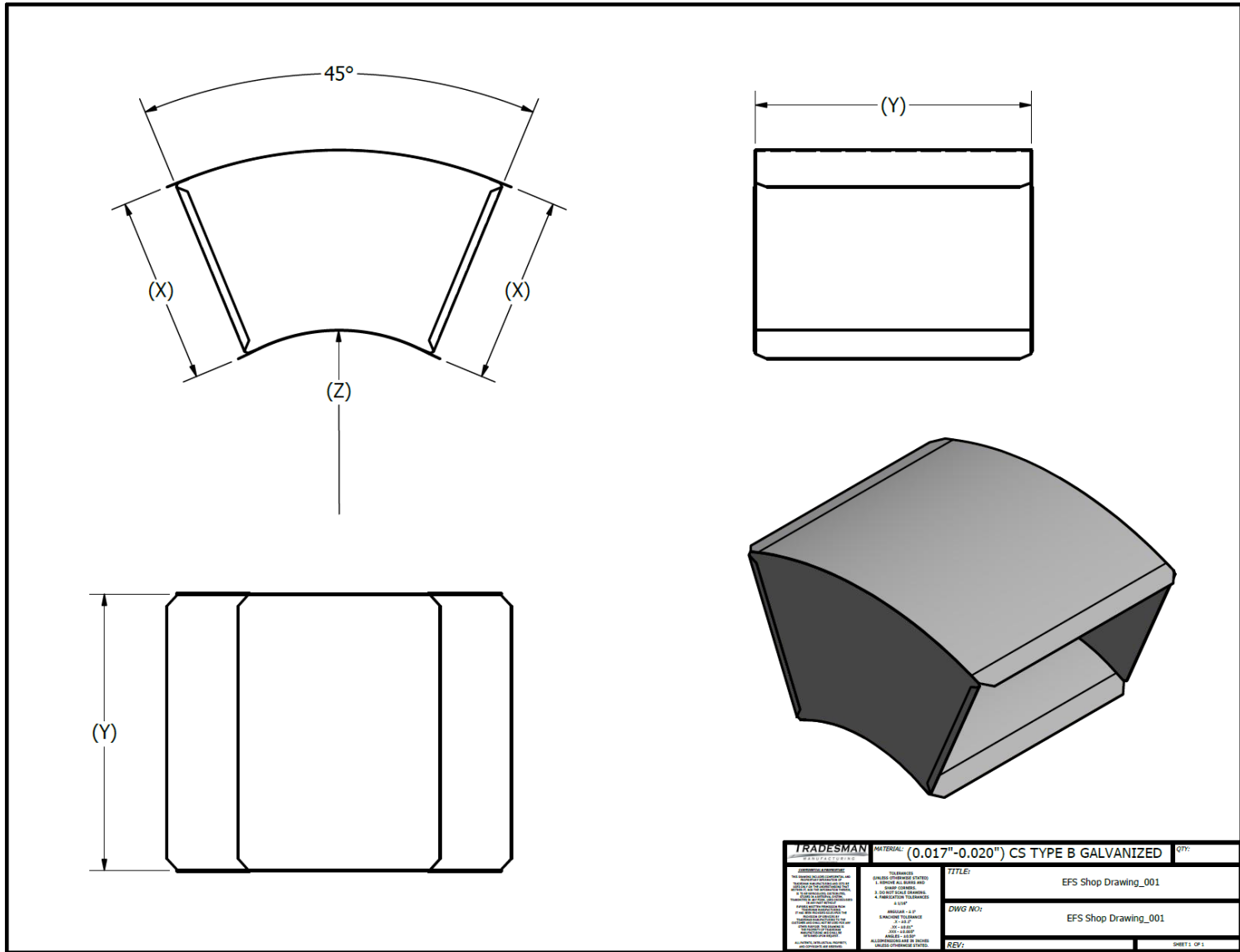
www.tradesmanmfg.ca

Specifications are subject to change without notice or obligation. All Tradesman Manufacturing products are guaranteed against defective material.

DUCT FITTING - ELBOW 45°

TRADESMAN

MANUFACTURING



45° Duct Elbow: Shortway

[\(403\) 327-9871](tel:(403)327-9871)

sales@tradesmanmfg.ca

www.tradesmanmfg.ca

Specifications are subject to change without notice or obligation. All Tradesman Manufacturing products are guaranteed against defective material.