

## DESCRIPTION

The Tradesman drive cleat is used to join sections of square duct on high pressure systems where more reinforcement is required.

## CONSTRUCTION

Made of 24GA to 26A galvanized.

## FEATURES

Made to fit any slip and drive connection.

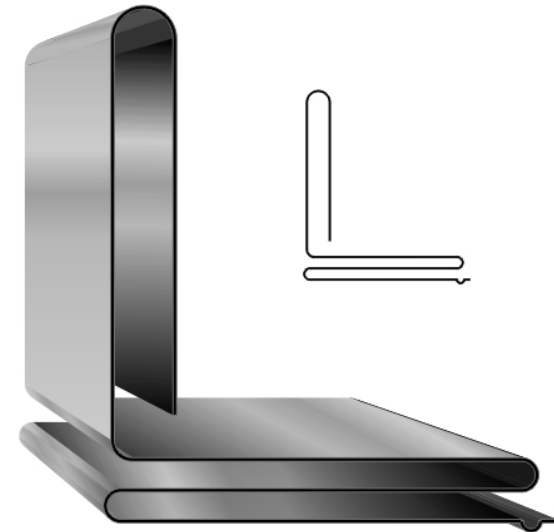
## GUARANTEE

Made in Canada. All Tradesman Manufacturing products are guaranteed against defective material.

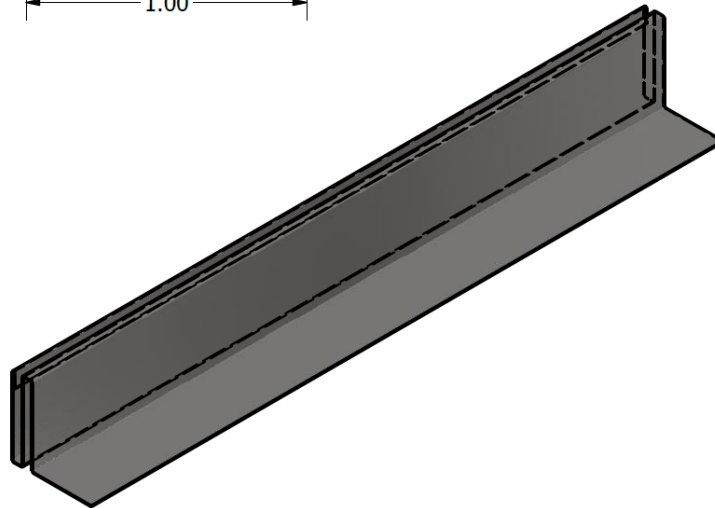
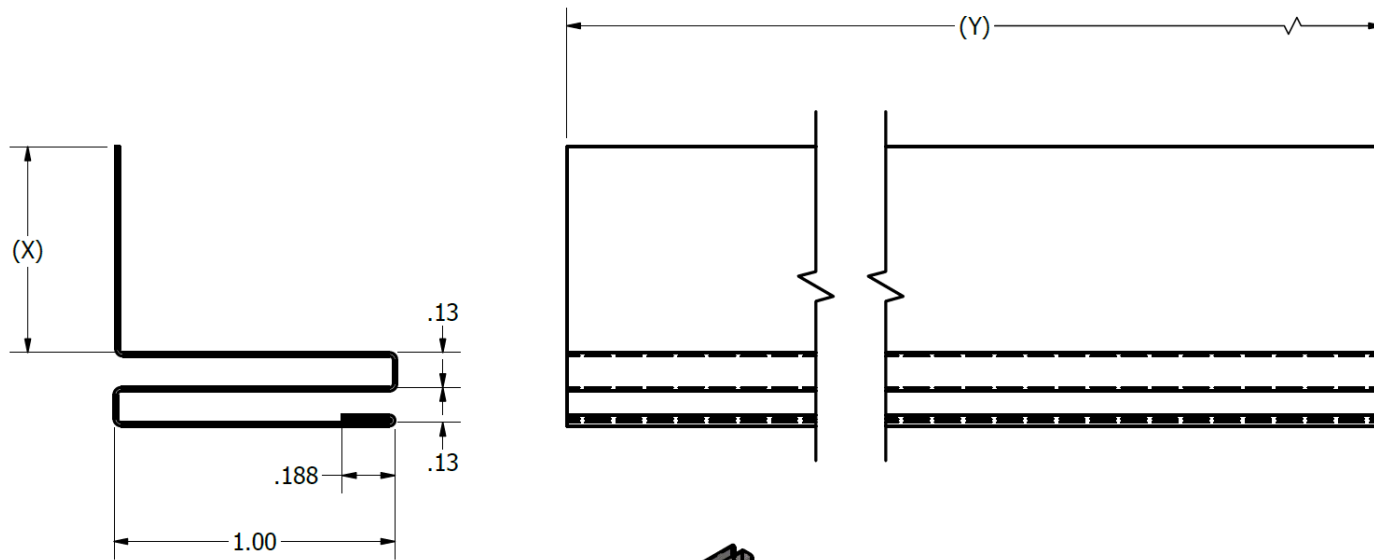
## OPTIONAL CONSTRUCTION

304 Stainless Steel  
 316 Stainless Steel  
 Aluminum

Product Code	Y (in)	X (in)	Gauge	Carton/Bundle/Skid Qty
STC/0001/24	120"	1"	24	100'/BDL, 2000'/Skid
STC/0001/26	120"	1"	26	100'/BDL, 2000'/Skid
STC/0012/24	120"	0.5"	24	100'/BDL, 3000'/Skid
STC/0012/26	120"	0.5"	26	100'/BDL, 3000'/Skid
STC/1208/26	96"	0.5"	26	80'/BDL, 2400'/Skid



# CLEAT - STANDING



<b>TRADESMAN</b> MANUFACTURING	MATERIAL: (0.017"-0.024") CS TYPE B GALVANIZED	QTY:
<small>STANDARD CONDITIONS: 1. TRADESMAN SHALL BE RESPONSIBLE FOR THE DESIGN AND CONSTRUCTION OF THE PROJECT. 2. TRADESMAN SHALL BE RESPONSIBLE FOR THE SELECTION OF MATERIALS AND METHODS OF CONSTRUCTION. 3. TRADESMAN SHALL BE RESPONSIBLE FOR THE PROTECTION OF EXISTING UTILITIES AND STRUCTURES. 4. TRADESMAN SHALL BE RESPONSIBLE FOR THE PROTECTION OF THE ENVIRONMENT. 5. TRADESMAN SHALL BE RESPONSIBLE FOR THE PROTECTION OF THE PUBLIC. 6. TRADESMAN SHALL BE RESPONSIBLE FOR THE PROTECTION OF THE WORKERS. 7. TRADESMAN SHALL BE RESPONSIBLE FOR THE PROTECTION OF THE EQUIPMENT. 8. TRADESMAN SHALL BE RESPONSIBLE FOR THE PROTECTION OF THE PROJECT. 9. TRADESMAN SHALL BE RESPONSIBLE FOR THE PROTECTION OF THE SITE. 10. TRADESMAN SHALL BE RESPONSIBLE FOR THE PROTECTION OF THE ADJACENT PROPERTIES.</small>	<small>NOTES: 1. ALL DIMENSIONS ARE IN INCHES UNLESS OTHERWISE SPECIFIED. 2. ALL DIMENSIONS ARE TO FACE UNLESS OTHERWISE SPECIFIED. 3. ALL DIMENSIONS ARE TO CENTERLINE UNLESS OTHERWISE SPECIFIED. 4. ALL DIMENSIONS ARE TO CENTERLINE UNLESS OTHERWISE SPECIFIED. 5. ALL DIMENSIONS ARE TO CENTERLINE UNLESS OTHERWISE SPECIFIED. 6. ALL DIMENSIONS ARE TO CENTERLINE UNLESS OTHERWISE SPECIFIED. 7. ALL DIMENSIONS ARE TO CENTERLINE UNLESS OTHERWISE SPECIFIED. 8. ALL DIMENSIONS ARE TO CENTERLINE UNLESS OTHERWISE SPECIFIED. 9. ALL DIMENSIONS ARE TO CENTERLINE UNLESS OTHERWISE SPECIFIED. 10. ALL DIMENSIONS ARE TO CENTERLINE UNLESS OTHERWISE SPECIFIED.</small>	TITLE: STC-Shop Drawing
		DWG NO: STC-Shop Drawing
		REV:

(403) 327-9871

sales@tradesmanmfg.ca

www.tradesmanmfg.ca

Specifications are subject to change without notice or obligation. All Tradesman Manufacturing products are guaranteed against defective material.