

# TRADESMAN

MANUFACTURING

## DESCRIPTION

Tradesman's Access Door with tab lock frame is used to access the inside of rectangular ductwork. Double panelled with front and back metal plates, and 1" insulation.

## CONSTRUCTION

Made of 26GA galvanized complete with gasketed door for the most efficient way of filtering air passing through a furnace. Can be made to fit 1", 2", or 4"

## FEATURES

Regular doors can be used up to 4" WG  
 Meets 2005 SMACNA Standards for pressure class & gauge  
 (Refer to page 7-2, figure 7-2)  
 Made with Domestic Galvanized Steel  
 Union Made

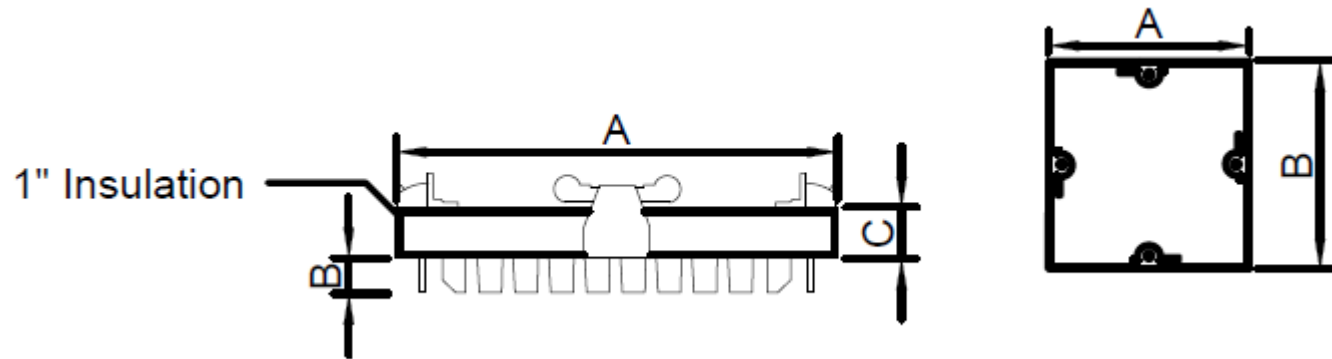
## OPTIONAL CONSTRUCTION

Closed cell foam insulation (replacing fibreglass)  
 Additional Cams  
 Custom sizes  
 Neoprene gasket bonded outside of the frame  
 Stainless Steel 304  
 Stainless Steel 316  
 Aluminum  
 Galvanneal (Paint Grip)

Size	# of Cams	Box Qty
6" x 6"	2	15
8" x 8"	2	15
10" x 10"	2	16
12" x 12"	2	10
14" x 14"	2	6
16" x 16"	4	6
16" x 12"	4	6
18" x 18"	4	6
18" x 12"	4	6
20" x 20"	4	6
24" x 24"	4	6
24" x 12"	4	6
24" x 18"	4	6

# TRADESMAN

MANUFACTURING



## DOOR PANEL

Consists of 24GA manufactured from ASTM A-654 G60 panels mechanically locked together.

## INSULATION

1" high-density fireglass insulation UL Classifications FHC25/50, ATSM C 1071; Type 1 ATSM G 21, Greenguard Indoor Air Quality Certified\*, Greenguard Children and Schools, NFPA 90A and 90B.

## GASKET

Closed-cell neoprene gasket is UL94HF1 listed with service temperature range of 20 F to 200 F  
The gasket is bonded to the inside of the frame.

## DOVETAIL FRAME

Frames measuring 6" x 6" to 12" x 12" are manufactured from 24 gauge galvanized steel.

Frames measuring 14" x 14" to 24" x 24" are manufactured from 22 gauge galvanized steel.

All frames are manufactured with spot welds at each corner for increased strength and an improved dovetail design for easy installation on metal duct.

## CAMS & STRIKES

The cam is stamped using 16GA galvanized steel. The latch is stamped from 20GA galvanized steel. Each cam is secured to the door with a rivet.

[\(403\) 327-9871](tel:(403)327-9871)

[sales@tradesmanmfg.ca](mailto:sales@tradesmanmfg.ca)

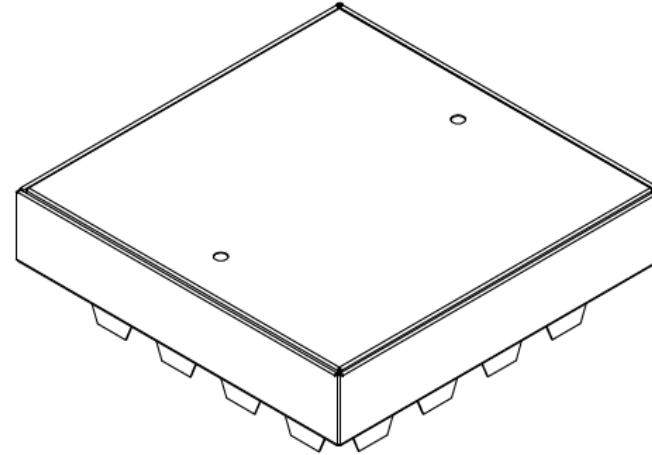
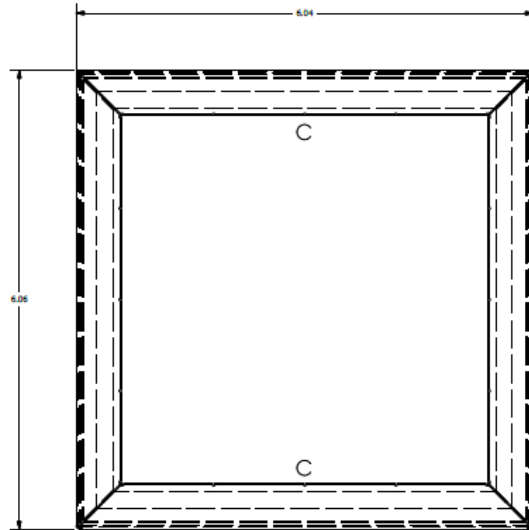
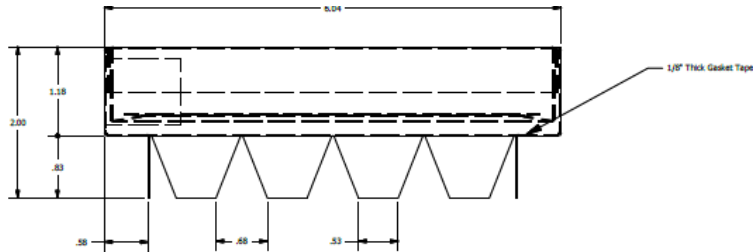
[www.tradesmanmfg.ca](http://www.tradesmanmfg.ca)

Specifications are subject to change without notice or obligation. All Tradesman Manufacturing products are guaranteed against defective material.

# ACCESS DOORS

# TRADESMAN

## MANUFACTURING



		PARTS LIST	
ITEM	QTY	PART NUMBER	DESCRIPTION
1	1	ELG-AD01-40_001	
2	1	ELG-AD01-40_002	
3	1	ELG-AD01-40_003	
4	1	HAR/7115	HAR/7115 - Hardware Swivel Lock Turn 115# - 100/ctn
5	1	HAR/5116	HAR/5116 - Hardware Swivel Lock Strike 116# - 100/ctn

**CONVENTIONAL & PROFESSIONAL**  
 THIS DRAWING INCLUDES CONVENTIONAL AND PROFESSIONAL DIMENSIONS OF TRADESMAN MANUFACTURING ACCESS DOORS. USE ONLY ON THE UNDERLYING THAT MATCHES IT, WITH THE RESPECTIVE TOLERANCE, IS TO BE REPRODUCED, CAPTIONED, STORED IN A REFERENCE SYSTEM, TRANSMITTED IN ANY FORM, AND DISCLOSED OR REPRODUCED WITHOUT WRITTEN PERMISSION FROM TRADESMAN MANUFACTURING. TRADESMAN MANUFACTURING SHALL BE RESPONSIBLE FOR THE PROVISION OF SERVICES BY TRADESMAN MANUFACTURING TO THE CUSTOMER AND SHALL NOT BE LIABLE FOR ANY OTHER PARTIES. THIS DRAWING IS THE PROPERTY OF TRADESMAN MANUFACTURING AND SHALL BE RETURNED UPON REQUEST.

REVISION	NO.	DESCRIPTION

**TRADESMAN**  
 MANUFACTURING  
 TOLERANCES UNLESS OTHERWISE STATED:  
 1. NOMINAL ALL DIMENSIONS AND HOLE SIZES  
 2. UNLESS NOTED OTHERWISE  
 3. UNLESS NOTED OTHERWISE  
 4. FABRICATION TOLERANCES  
 ± .010"  
 FINISHES: 4 BY 4  
 FINISHES: 4 BY 4  
 FINISHES: 4 BY 4  
 FINISHES: 4 BY 4

**TITLE:**  
 6" x 6" Double Cammed Access Door, Type B - 10/ctn

**DWG NO:**  
 ELG-AD01-40

(403) 327-9871

sales@tradesmanmfg.ca

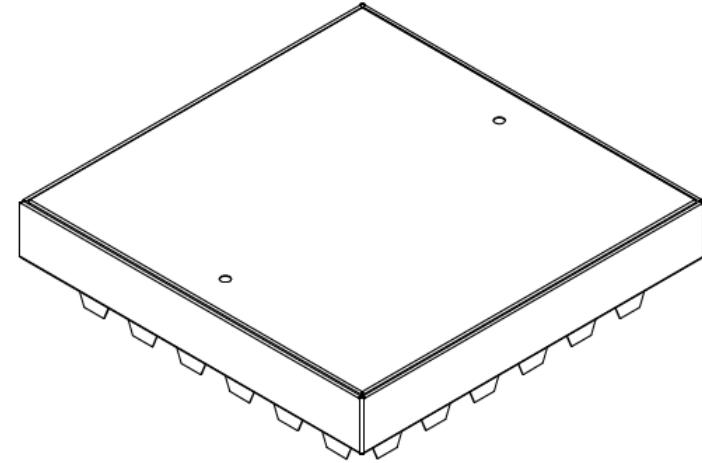
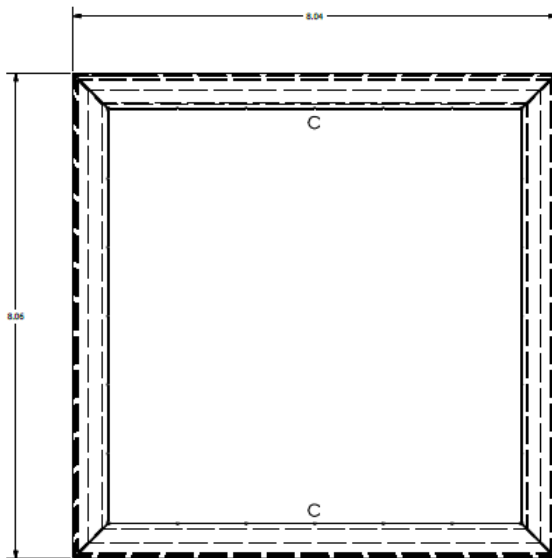
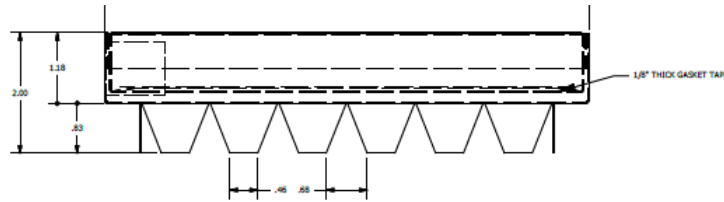
www.tradesmanmfg.ca

Specifications are subject to change without notice or obligation. All Tradesman Manufacturing products are guaranteed against defective material.

# ACCESS DOORS

# TRADESMAN

MANUFACTURING



ITEM		QTY	PART NUMBER	DESCRIPTION
1		1	ELG-AD01-50_001	
2		1	ELG-AD01-50_002	
3		1	ELG-AD01-50_003	
4		1	HAR/T115	HAR/T115 - Hardware Swivel Lock Turn 115# - 100/ctn
5		1	HAR/S116	HAR/S116 - Hardware Swivel Lock Strike 116# - 100/ctn

**CONVENTIONAL & NONCONVENTIONAL:**  
THIS DRAWING INCLUDES CONVENTIONAL AND PROPRIETARY INFORMATION OF TRADESMAN MANUFACTURING AND SHOULD BE USED ONLY FOR THE UNDERSTANDING THIS MATERIAL. USE THIS INFORMATION THEREIN, IN ANY MANNER, OR REPRODUCTION, IS TO BE CONSIDERED UNLAWFUL. TRADESMAN IS NOT RESPONSIBLE FOR ANY REPRODUCTION OR USE OF THIS INFORMATION IN ANY MANNER OTHER THAN AS SPECIFIED HEREIN.

REVISION	NO.	DESCRIPTION

**TRADESMAN**  
MANUFACTURING

TOLERANCES  
(UNLESS OTHERWISE STATED)  
1. DIMENSIONS ALL DIMENSIONS  
2. DIMENSIONS ALL DIMENSIONS  
3. DO NOT SCALE DRAWING  
4. FABRICATION TOLERANCES  
AS SHOWN

ANGLE - 45°  
SURFACE TOLERANCE  
F - 40.0"  
Z - 40.0"

TITLE:	8" x 8" Double Cammed Access Door, Type B - 10/ctn
DWG NO:	ELG-AD01-50

(403) 327-9871

sales@tradesmanmfg.ca

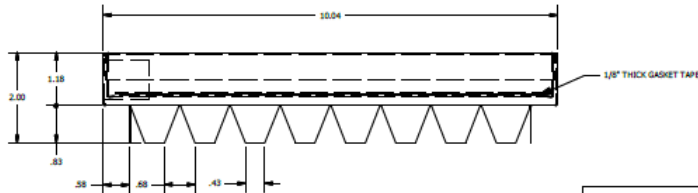
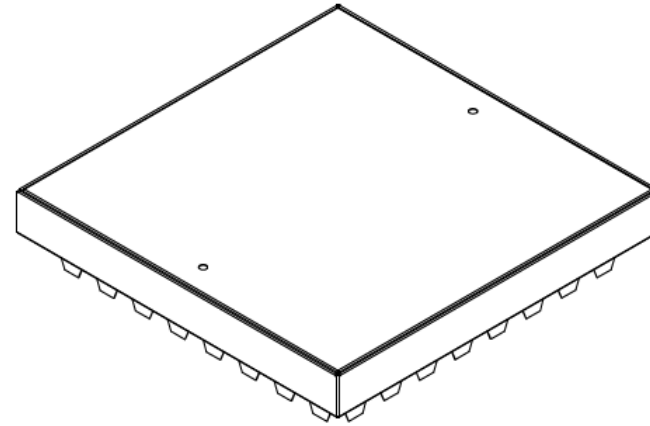
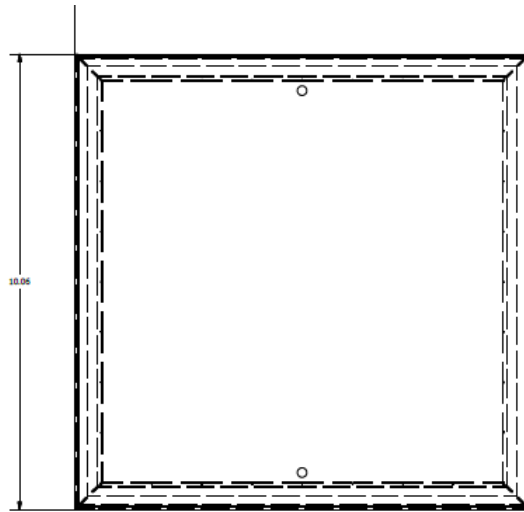
www.tradesmanmfg.ca

Specifications are subject to change without notice or obligation. All Tradesman Manufacturing products are guaranteed against defective material.

# ACCESS DOORS

# TRADESMAN

MANUFACTURING



		PARTS LIST	
ITEM	QTY	PART NUMBER	DESCRIPTION
1	1	ELG-DCAD-10_001	
2	1	ELG-DCAD-10_002	
3	1	ELG-DCAD-10_003	
4	1	HAR/T115	HAR/T115 - Hardware Swivel Lock Turn 115# - 100/ctn
5	1	HAR/S116	HAR/S116 - Hardware Swivel Lock Strike 116# - 100/ctn

**GENERAL NOTE:**  
THIS DRAWING INCLUDES DIMENSIONS AND PROPRIETARY INFORMATION OF TRADESMAN MANUFACTURING AND SHALL BE USED ONLY ON THE UNDERSTANDING THAT TRADESMAN MANUFACTURING AND DESIGN, IN ANY MANNER, ARE CONSIDERED TO BE TRADESMAN MANUFACTURING'S PROPRIETARY INFORMATION AND SHALL BE KEPT CONFIDENTIAL. TRADESMAN MANUFACTURING SHALL BE THE SOLE MANUFACTURER OF THIS PRODUCT. TRADESMAN MANUFACTURING SHALL BE THE SOLE MANUFACTURER OF THIS PRODUCT. TRADESMAN MANUFACTURING SHALL BE THE SOLE MANUFACTURER OF THIS PRODUCT. TRADESMAN MANUFACTURING SHALL BE THE SOLE MANUFACTURER OF THIS PRODUCT.

NO.	DESCRIPTION

**TRADESMAN**  
MANUFACTURING

TRADESMAN  
(UNLESS OTHERWISE SPECIFIED)  
1. DIMENSIONS IN INCHES AND  
FRACTIONS  
2. DECIMAL TOLERANCES  
3. UNLESS OTHERWISE SPECIFIED  
4. FABRICATION TOLERANCES  
= ±.015"  
ANGLES = ± 1°  
SURFACE TOLERANCE  
= ±.015"

TITLE:  
10" x 10" Double Cammed Access Door, Type B - 10/ctn

DWG NO:  
ELG-DCAD-10

(403) 327-9871

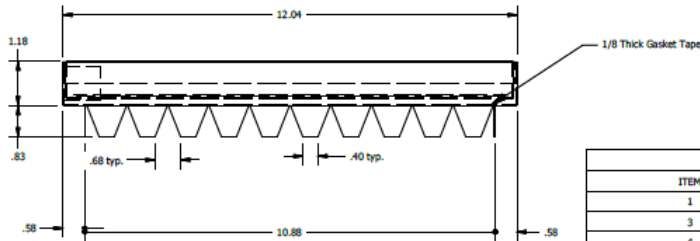
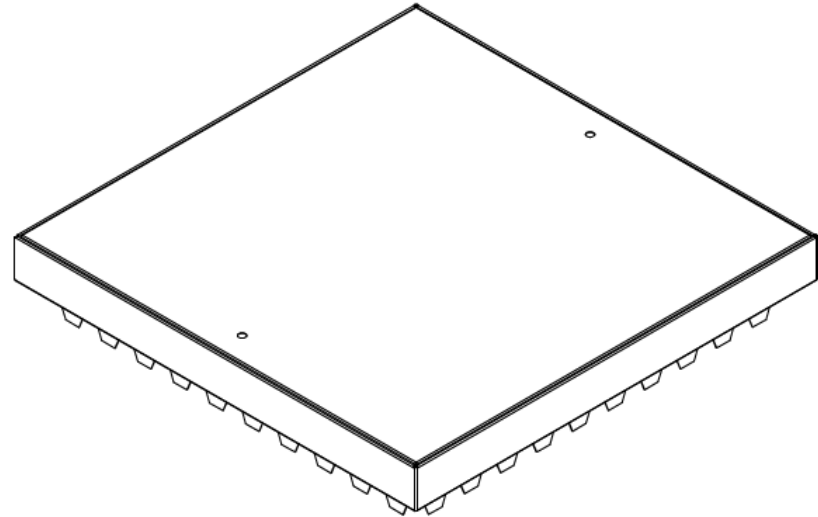
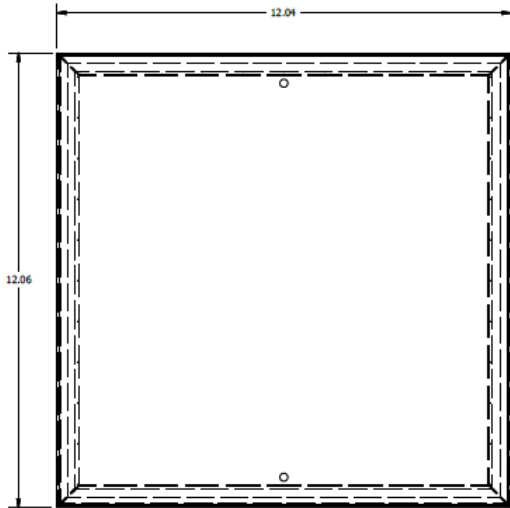
sales@tradesmanmfg.ca

www.tradesmanmfg.ca

Specifications are subject to change without notice or obligation. All Tradesman Manufacturing products are guaranteed against defective material.

# TRADESMAN

MANUFACTURING



PARTS LIST			
ITEM	QTY	PART NUMBER	DESCRIPTION
1	1	ELG-AD01-65_001	
3	1	ELG-AD01-65_002	
4	1	ELG-AD01-65_002	
5	2	HAR/T115	HAR/T115 - Hardware Swivel Lock Turn 115# - 100/ctn
6	2	HAR/S116	HAR/S116 - Hardware Swivel Lock Strike 116# - 100/ctn
7	2	N.A.	3/16 DIAMETER RIVET 1/8 - 1/4 GRIP RANGE

REVISION	NO.	DESCRIPTION	TRADESMAN MANUFACTURING	TITLE:
			<p>TRADESMAN MANUFACTURING</p> <p>1. UNLESS OTHERWISE STATED</p> <p>2. DIMENSIONS ARE IN INCHES AND</p> <p>3. DECIMALS SHALL BE IN THIRDS</p> <p>4. FABRICATION TOLERANCES</p> <p>±.005"</p> <p>ANGULAR ±.5°</p> <p>FINISH TOLERANCE</p> <p>±.001"</p>	12" x 12" Double Cammed Access Door, Type B - 10/ctn
				DWG NO: ELG-AD01-65

(403) 327-9871

sales@tradesmanmfg.ca

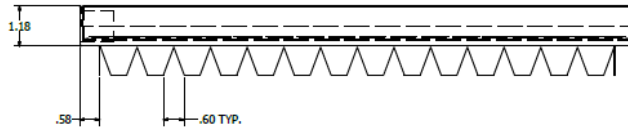
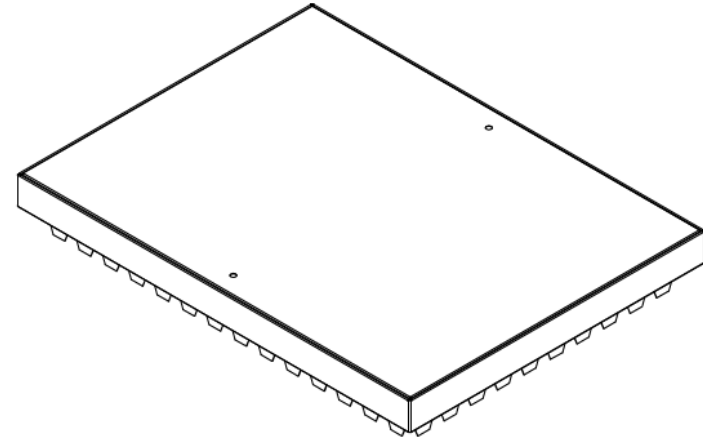
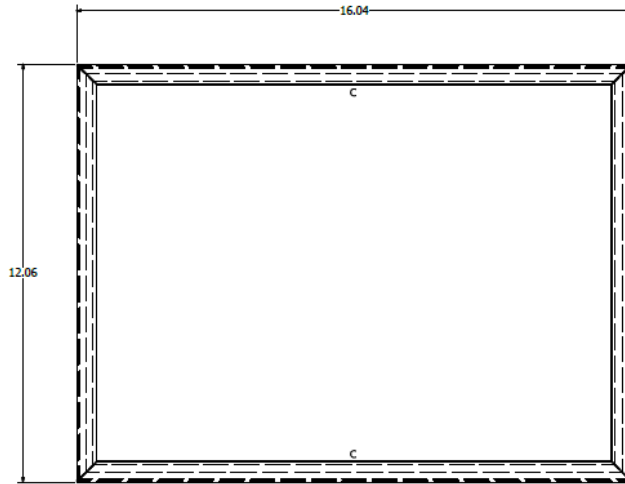
www.tradesmanmfg.ca

Specifications are subject to change without notice or obligation. All Tradesman Manufacturing products are guaranteed against defective material.

# ACCESS DOORS

# TRADESMAN

MANUFACTURING



<small>                 TRADESMAN MANUFACTURING                  1000 WILSON AVENUE                  WILSON, BC V9A 5G2                  TEL: (250) 372-2222                  FAX: (250) 372-2223                  WWW.TRADESMANMFG.CA             </small>	NO.	DESCRIPTION	<small>                 TRADESMAN                  MANUFACTURING             </small>	TITLE: ADI-1612-DCB.iam
	MATERIAL:	QTY:	REV:	DWG NO: ADI-1612-DCB
			SHEET 1 OF 2	

(403) 327-9871

[sales@tradesmanmfg.ca](mailto:sales@tradesmanmfg.ca)

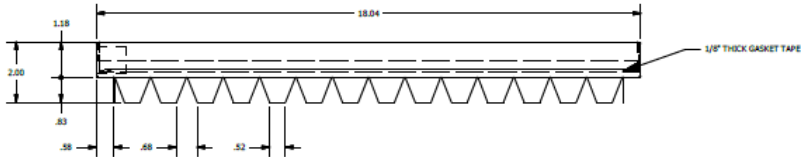
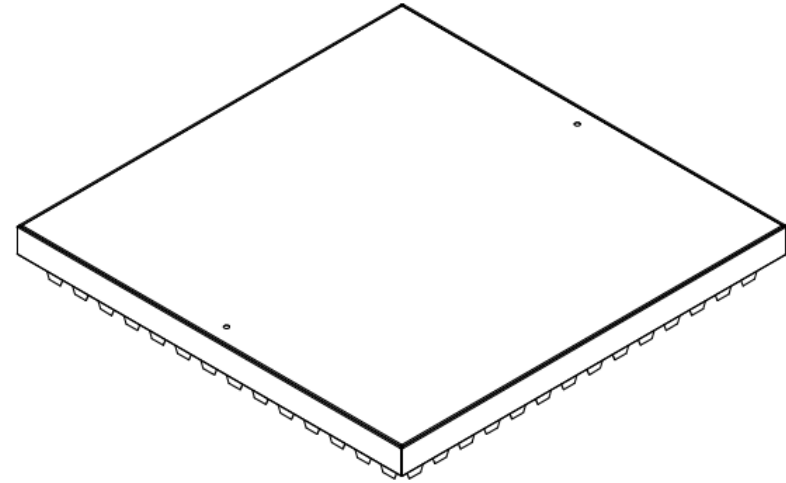
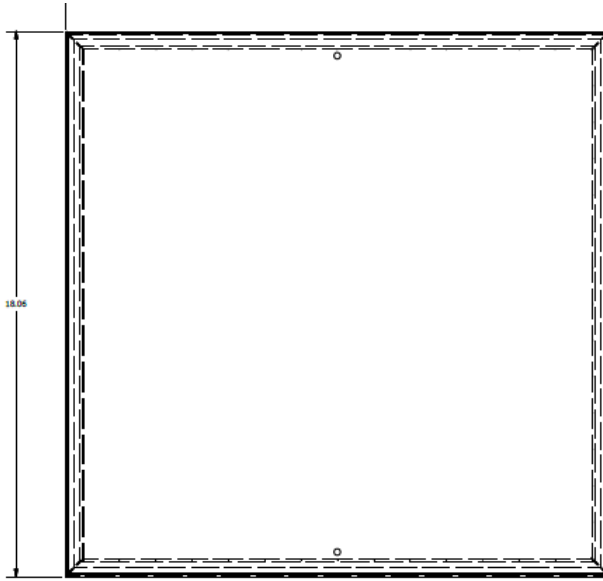
[www.tradesmanmfg.ca](http://www.tradesmanmfg.ca)

Specifications are subject to change without notice or obligation. All Tradesman Manufacturing products are guaranteed against defective material.

# ACCESS DOORS

# TRADESMAN

MANUFACTURING



ITEM		QTY	PART NUMBER	DESCRIPTION
1		1	ELG-AD02-04_001	
2		1	ELG-AD02-04_002	
3		1	ELG-AD02-04_003	
4		1	HAR/T115	HAR/T115 - Hardware Swivel Lock Turn 115# - 100/ctn
5		1	HAR/S116	HAR/S116 - Hardware Swivel Lock Strike 116# - 100/ctn

**CONVENTIONAL & PROPRIETARY**  
 THIS DRAWING INCLUDES CONVENTIONAL AND PROPRIETARY DIMENSIONS OF TRADESMAN MANUFACTURING AND SHALL BE USED ONLY ON THE UNDERLYING PARTS THAT MATCH THE WORK THE DIMENSION TRADESMAN IS TO BE REPRODUCED, OR PARTS, STORED IN AN ORIGINAL SYSTEM, TRANSMITTED IN ANY FORM, USED OR REPRODUCED IN ANY MANNER WITHOUT THE WRITTEN PERMISSION OF TRADESMAN MANUFACTURING. IT HAS BEEN PROVIDED TO YOU FOR THE PRODUCTION OF SERVICES BY TRADESMAN MANUFACTURING TO THE CUSTOMER AND SHALL NOT BE USED FOR ANY OTHER PURPOSES. THE DIMENSIONS AND TOLERANCES OF TRADESMAN MANUFACTURING SHALL BE USED UNLESS OTHERWISE SPECIFIED.

NO.	DESCRIPTION

**TRADESMAN**  
 MANUFACTURING  
 TOLERANCES  
 UNLESS OTHERWISE SPECIFIED  
 1. DIMENSIONS ALL DIMENSIONS AND  
 HOLE PATTERN  
 2. DIMENSIONS ALL DIMENSIONS AND  
 HOLE PATTERN  
 3. DIMENSIONS ALL DIMENSIONS AND  
 HOLE PATTERN  
 4. DIMENSIONS ALL DIMENSIONS AND  
 HOLE PATTERN  
 5. DIMENSIONS ALL DIMENSIONS AND  
 HOLE PATTERN  
 6. DIMENSIONS ALL DIMENSIONS AND  
 HOLE PATTERN  
 7. DIMENSIONS ALL DIMENSIONS AND  
 HOLE PATTERN  
 8. DIMENSIONS ALL DIMENSIONS AND  
 HOLE PATTERN  
 9. DIMENSIONS ALL DIMENSIONS AND  
 HOLE PATTERN  
 10. DIMENSIONS ALL DIMENSIONS AND  
 HOLE PATTERN  
 11. DIMENSIONS ALL DIMENSIONS AND  
 HOLE PATTERN  
 12. DIMENSIONS ALL DIMENSIONS AND  
 HOLE PATTERN  
 13. DIMENSIONS ALL DIMENSIONS AND  
 HOLE PATTERN  
 14. DIMENSIONS ALL DIMENSIONS AND  
 HOLE PATTERN  
 15. DIMENSIONS ALL DIMENSIONS AND  
 HOLE PATTERN  
 16. DIMENSIONS ALL DIMENSIONS AND  
 HOLE PATTERN  
 17. DIMENSIONS ALL DIMENSIONS AND  
 HOLE PATTERN  
 18. DIMENSIONS ALL DIMENSIONS AND  
 HOLE PATTERN  
 19. DIMENSIONS ALL DIMENSIONS AND  
 HOLE PATTERN  
 20. DIMENSIONS ALL DIMENSIONS AND  
 HOLE PATTERN  
 21. DIMENSIONS ALL DIMENSIONS AND  
 HOLE PATTERN  
 22. DIMENSIONS ALL DIMENSIONS AND  
 HOLE PATTERN  
 23. DIMENSIONS ALL DIMENSIONS AND  
 HOLE PATTERN  
 24. DIMENSIONS ALL DIMENSIONS AND  
 HOLE PATTERN  
 25. DIMENSIONS ALL DIMENSIONS AND  
 HOLE PATTERN  
 26. DIMENSIONS ALL DIMENSIONS AND  
 HOLE PATTERN  
 27. DIMENSIONS ALL DIMENSIONS AND  
 HOLE PATTERN  
 28. DIMENSIONS ALL DIMENSIONS AND  
 HOLE PATTERN  
 29. DIMENSIONS ALL DIMENSIONS AND  
 HOLE PATTERN  
 30. DIMENSIONS ALL DIMENSIONS AND  
 HOLE PATTERN  
 31. DIMENSIONS ALL DIMENSIONS AND  
 HOLE PATTERN  
 32. DIMENSIONS ALL DIMENSIONS AND  
 HOLE PATTERN  
 33. DIMENSIONS ALL DIMENSIONS AND  
 HOLE PATTERN  
 34. DIMENSIONS ALL DIMENSIONS AND  
 HOLE PATTERN  
 35. DIMENSIONS ALL DIMENSIONS AND  
 HOLE PATTERN  
 36. DIMENSIONS ALL DIMENSIONS AND  
 HOLE PATTERN  
 37. DIMENSIONS ALL DIMENSIONS AND  
 HOLE PATTERN  
 38. DIMENSIONS ALL DIMENSIONS AND  
 HOLE PATTERN  
 39. DIMENSIONS ALL DIMENSIONS AND  
 HOLE PATTERN  
 40. DIMENSIONS ALL DIMENSIONS AND  
 HOLE PATTERN  
 41. DIMENSIONS ALL DIMENSIONS AND  
 HOLE PATTERN  
 42. DIMENSIONS ALL DIMENSIONS AND  
 HOLE PATTERN  
 43. DIMENSIONS ALL DIMENSIONS AND  
 HOLE PATTERN  
 44. DIMENSIONS ALL DIMENSIONS AND  
 HOLE PATTERN  
 45. DIMENSIONS ALL DIMENSIONS AND  
 HOLE PATTERN  
 46. DIMENSIONS ALL DIMENSIONS AND  
 HOLE PATTERN  
 47. DIMENSIONS ALL DIMENSIONS AND  
 HOLE PATTERN  
 48. DIMENSIONS ALL DIMENSIONS AND  
 HOLE PATTERN  
 49. DIMENSIONS ALL DIMENSIONS AND  
 HOLE PATTERN  
 50. DIMENSIONS ALL DIMENSIONS AND  
 HOLE PATTERN  
 51. DIMENSIONS ALL DIMENSIONS AND  
 HOLE PATTERN  
 52. DIMENSIONS ALL DIMENSIONS AND  
 HOLE PATTERN  
 53. DIMENSIONS ALL DIMENSIONS AND  
 HOLE PATTERN  
 54. DIMENSIONS ALL DIMENSIONS AND  
 HOLE PATTERN  
 55. DIMENSIONS ALL DIMENSIONS AND  
 HOLE PATTERN  
 56. DIMENSIONS ALL DIMENSIONS AND  
 HOLE PATTERN  
 57. DIMENSIONS ALL DIMENSIONS AND  
 HOLE PATTERN  
 58. DIMENSIONS ALL DIMENSIONS AND  
 HOLE PATTERN  
 59. DIMENSIONS ALL DIMENSIONS AND  
 HOLE PATTERN  
 60. DIMENSIONS ALL DIMENSIONS AND  
 HOLE PATTERN  
 61. DIMENSIONS ALL DIMENSIONS AND  
 HOLE PATTERN  
 62. DIMENSIONS ALL DIMENSIONS AND  
 HOLE PATTERN  
 63. DIMENSIONS ALL DIMENSIONS AND  
 HOLE PATTERN  
 64. DIMENSIONS ALL DIMENSIONS AND  
 HOLE PATTERN  
 65. DIMENSIONS ALL DIMENSIONS AND  
 HOLE PATTERN  
 66. DIMENSIONS ALL DIMENSIONS AND  
 HOLE PATTERN  
 67. DIMENSIONS ALL DIMENSIONS AND  
 HOLE PATTERN  
 68. DIMENSIONS ALL DIMENSIONS AND  
 HOLE PATTERN  
 69. DIMENSIONS ALL DIMENSIONS AND  
 HOLE PATTERN  
 70. DIMENSIONS ALL DIMENSIONS AND  
 HOLE PATTERN  
 71. DIMENSIONS ALL DIMENSIONS AND  
 HOLE PATTERN  
 72. DIMENSIONS ALL DIMENSIONS AND  
 HOLE PATTERN  
 73. DIMENSIONS ALL DIMENSIONS AND  
 HOLE PATTERN  
 74. DIMENSIONS ALL DIMENSIONS AND  
 HOLE PATTERN  
 75. DIMENSIONS ALL DIMENSIONS AND  
 HOLE PATTERN  
 76. DIMENSIONS ALL DIMENSIONS AND  
 HOLE PATTERN  
 77. DIMENSIONS ALL DIMENSIONS AND  
 HOLE PATTERN  
 78. DIMENSIONS ALL DIMENSIONS AND  
 HOLE PATTERN  
 79. DIMENSIONS ALL DIMENSIONS AND  
 HOLE PATTERN  
 80. DIMENSIONS ALL DIMENSIONS AND  
 HOLE PATTERN  
 81. DIMENSIONS ALL DIMENSIONS AND  
 HOLE PATTERN  
 82. DIMENSIONS ALL DIMENSIONS AND  
 HOLE PATTERN  
 83. DIMENSIONS ALL DIMENSIONS AND  
 HOLE PATTERN  
 84. DIMENSIONS ALL DIMENSIONS AND  
 HOLE PATTERN  
 85. DIMENSIONS ALL DIMENSIONS AND  
 HOLE PATTERN  
 86. DIMENSIONS ALL DIMENSIONS AND  
 HOLE PATTERN  
 87. DIMENSIONS ALL DIMENSIONS AND  
 HOLE PATTERN  
 88. DIMENSIONS ALL DIMENSIONS AND  
 HOLE PATTERN  
 89. DIMENSIONS ALL DIMENSIONS AND  
 HOLE PATTERN  
 90. DIMENSIONS ALL DIMENSIONS AND  
 HOLE PATTERN  
 91. DIMENSIONS ALL DIMENSIONS AND  
 HOLE PATTERN  
 92. DIMENSIONS ALL DIMENSIONS AND  
 HOLE PATTERN  
 93. DIMENSIONS ALL DIMENSIONS AND  
 HOLE PATTERN  
 94. DIMENSIONS ALL DIMENSIONS AND  
 HOLE PATTERN  
 95. DIMENSIONS ALL DIMENSIONS AND  
 HOLE PATTERN  
 96. DIMENSIONS ALL DIMENSIONS AND  
 HOLE PATTERN  
 97. DIMENSIONS ALL DIMENSIONS AND  
 HOLE PATTERN  
 98. DIMENSIONS ALL DIMENSIONS AND  
 HOLE PATTERN  
 99. DIMENSIONS ALL DIMENSIONS AND  
 HOLE PATTERN  
 100. DIMENSIONS ALL DIMENSIONS AND  
 HOLE PATTERN

**TITLE:**  
 18" x 18" Double Cammed Access Door, Type B - 10/ctn  
**DWG NO:**  
 ELG-AD02-04

(403) 327-9871

sales@tradesmanmfg.ca

www.tradesmanmfg.ca

Specifications are subject to change without notice or obligation. All Tradesman Manufacturing products are guaranteed against defective material.